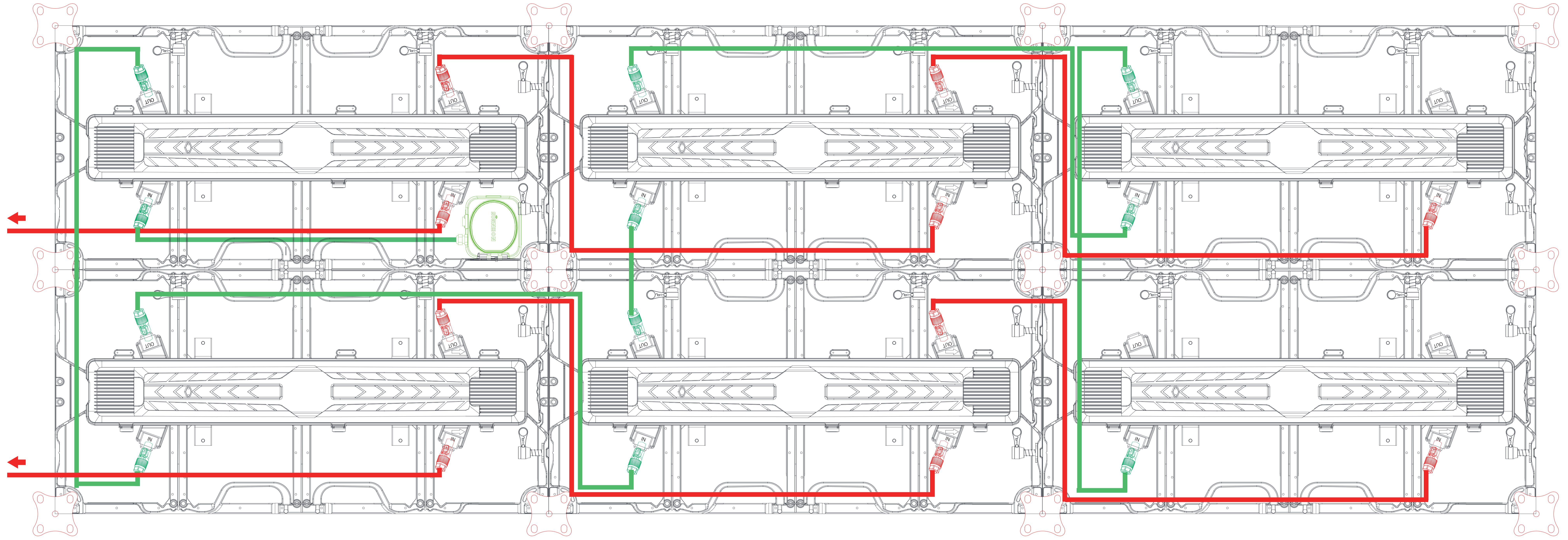


BACK

MARK	REASONABLE REVISIONS	REV. DATE	SIGN
△1	FIRST ISSUE	-	-
△2	-	-	-
△3	-	-	-

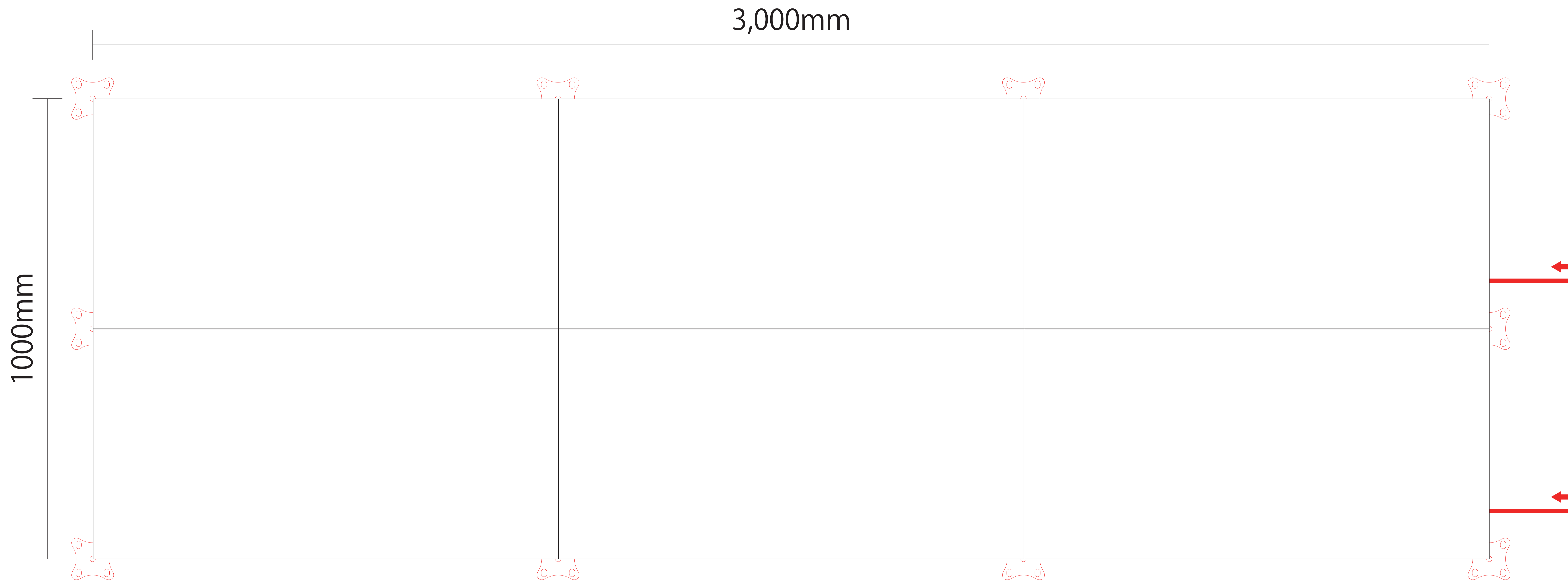


— AC Cable
— DATA Cable

3 X 2			WEIGHT	84kg	1		
NO	DESCRIPTION		MAT'L	COLOR	Q'TY	REMARKS	
DESIGNED	CHECKED	APPROVED	THIRD ANGLE PROJECTION	SCALE: 1/1	DATE : -		
-				UNIT: A3	PAGE : /		
ISUNG CO., LTD.			MODEL :	AOM39101		BOM NO : -	

MARK	REASONABLE REVISIONS	REV. DATE	SIGN
△	FIRST ISSUE	-	-
△	-	-	-
△	-	-	-

FRONT



 AC Cable

 DATA Cable

	3 X 2			WEIGHT	84kg	1	
NO	DESCRIPTION			MAT'L	COLOR	Q'TY	REMARKS
	DESIGNED	CHECKED	APPROVED	THIRD ANGLE PROJECTION	SCALE: 1/1	DATE : -	
	-				UNIT: A3	PAGE : /	
ISUNG CO., LTD.				MODEL :	AOM39101		BOM NO : -