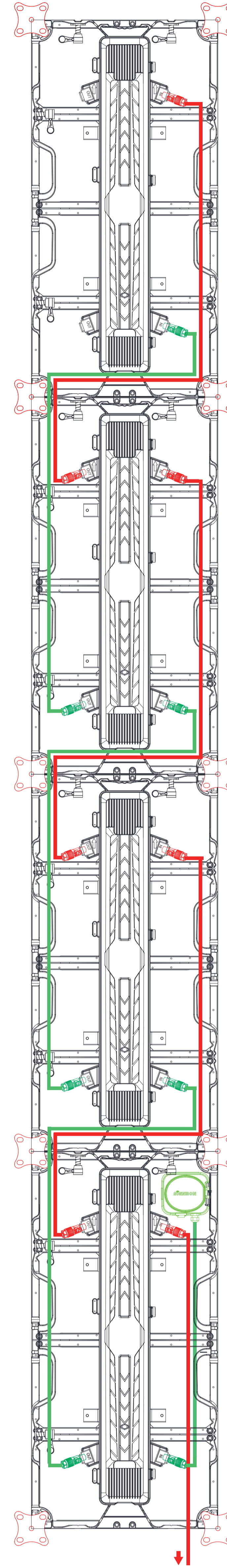


BACK

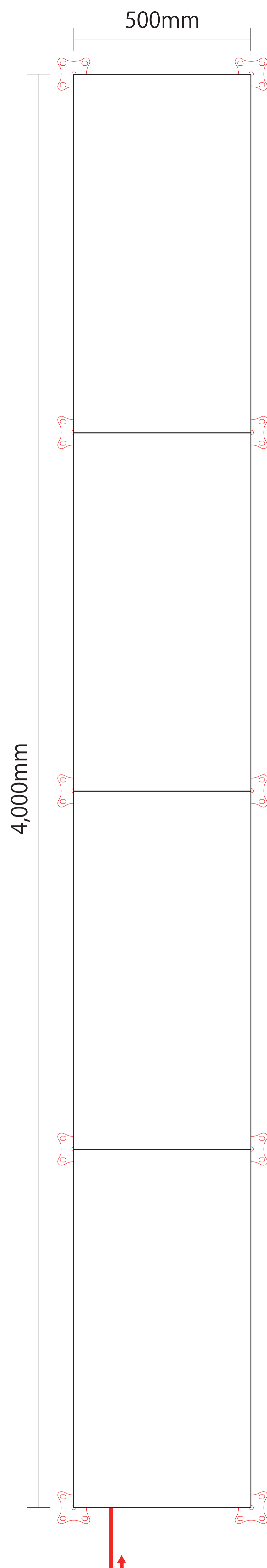
MARK	REASONABLE REVISIONS	REV. DATE	SIGN
①	FIRST ISSUE	-	-
②	-	-	-
③	-	-	-



— AC Cable  
— DATA Cable

	1 X 4			WEIGHT	56kg	1	
NO	DESCRIPTION			MAT'L	COLOR	Q'TY	REMARKS
	DESIGNED	CHECKED	APPROVED	THIRD ANGLE PROJECTION	SCALE: 1/1	DATE : -	
	-				UNIT: A3	PAGE : /	
ISUNG CO., LTD.				MODEL :	AOM39101		BOM NO : -

FRONT



MARK	REASONABLE REVISIONS	REV. DATE	SIGN
△	FIRST ISSUE	-	-
△	-	-	-
△	-	-	-



	1 X 4			WEIGHT	56kg	1	
NO	DESCRIPTION			MAT'L	COLOR	Q'TY	REMARKS
	DESIGNED	CHECKED	APPROVED	THIRD ANGLE PROJECTION	SCALE: 1/1		DATE : -
-					UNIT: A3		⊕ □ PAGE : /
ISUNG CO., LTD.				MODEL :	AOM39101		BOM NO : -